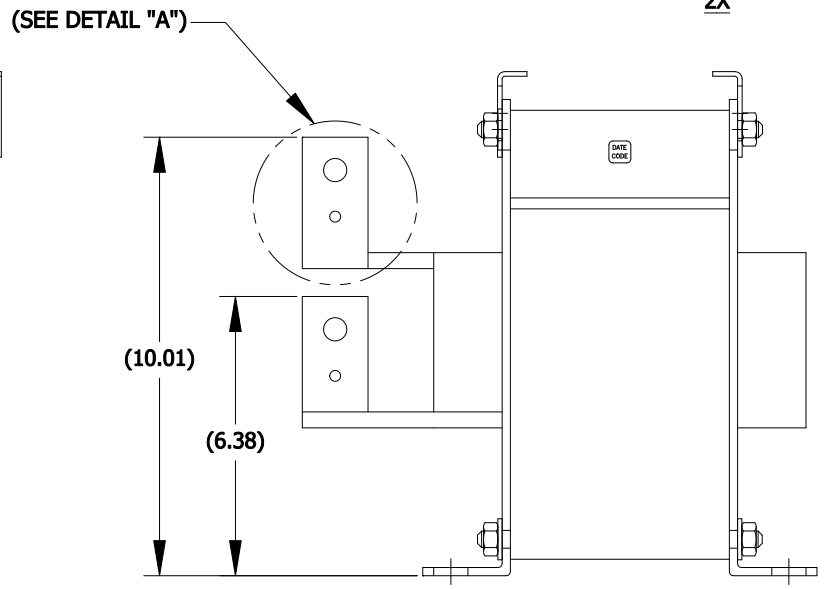
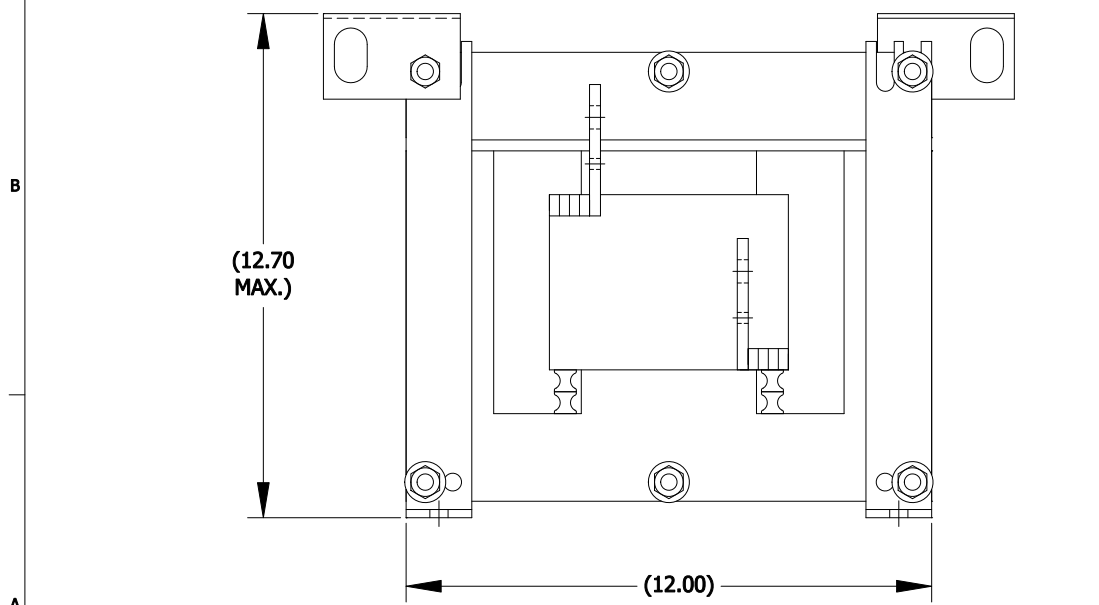
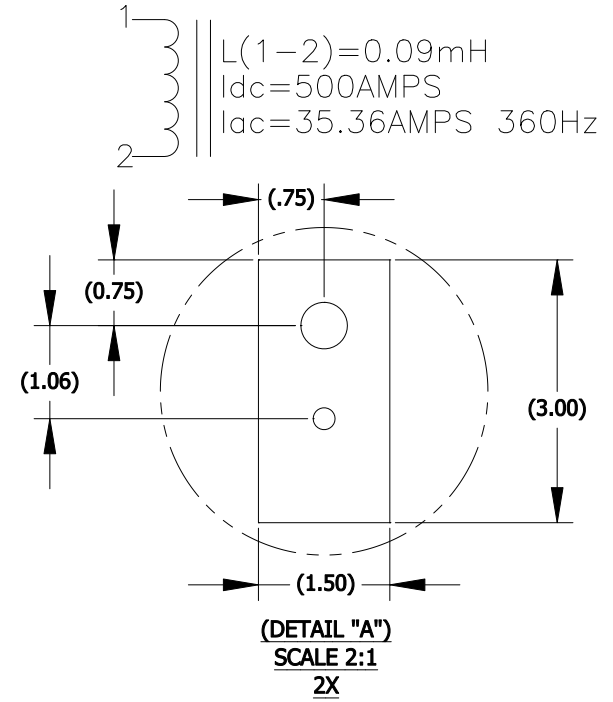
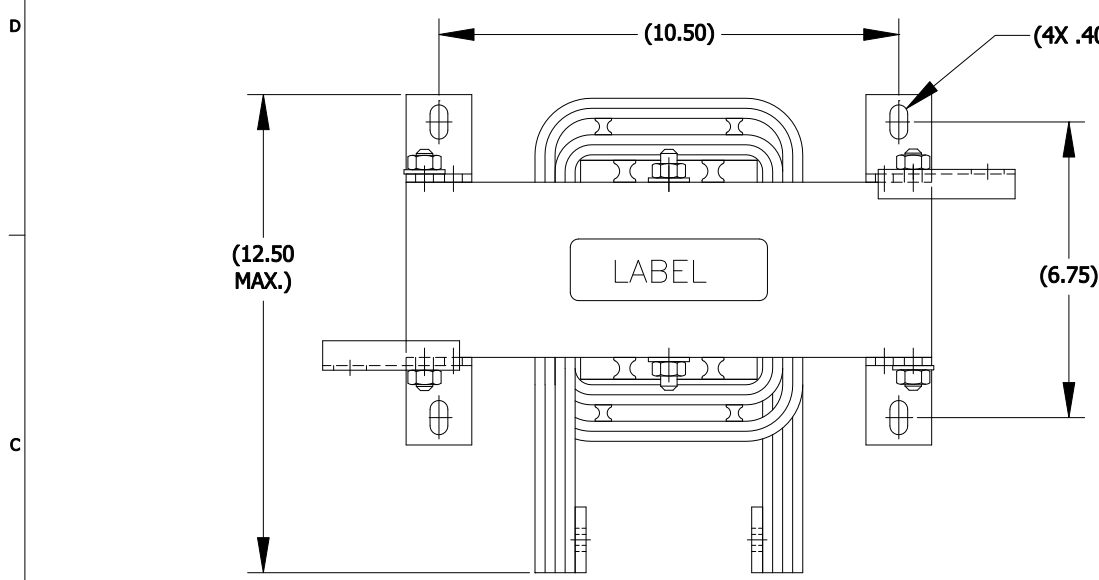


4	INDUCTANCE	LOSSES	WEIGHT
	.09 mH	135 Watts	208 Lbs

1	REV	ECR No	DESCRIPTION	DATE	REV BY	APPD BY
---	-----	--------	-------------	------	--------	---------



<p>THE COMPONENT, PART OR ASSEMBLY DESCRIBED IN THIS DOCUMENT MUST COMPLY WITH THE EU (EUROPEAN UNION) DIRECTIVE RoHS</p> <p>CONTAINS <0.1% OF ANY SVHC BY WEIGHT PER REACH REGULATION</p> <p>UNLESS OTHERWISE SPECIFIED DIMENSIONS ARE IN INCHES [MM] TOLERANCES ARE:</p> <p>ANGLES: ° 1 ~</p> <p>1 PLACE .X: ° .1 [2.5]</p> <p>2 PLACE .XX: ° .03 [0.76]</p> <p>3 PLACE .XXX: ° .010 [0.254]</p>		<p>MATERIAL</p>		<p>CONFIDENTIAL AND PROPRIETARY INFORMATION THIS DOCUMENT CONTAINS TRADE SECRETS AND PROPRIETARY INFORMATION OF MTE CORPORATION AND IS THE PROPERTY OF MTE CORPORATION. IT IS TO BE KEPT CONFIDENTIAL AND NOT TO BE REPRODUCED OR DISCLOSED TO ANY OTHER PARTY WITHOUT THE AUTHORIZED WRITTEN PERMISSION OF MTE CORPORATION.</p>	
<p>MTE</p> <p>NBS W13330 Leon Road Menomonee Falls, WI 53051 USA 900.455.4663 262.253.6200</p>		<p>DRAWN RJKT</p> <p>CHECKED JH</p> <p>APPROVED JH</p>	<p>DATE 10/14/11</p> <p>10/14/11</p> <p>10/14/11</p>	<p>DESCRIPTION</p> <p>DC LINK REACTOR, 500A, .09 mH OUTLINE DIMENSION DWG.</p>	
		<p>SIZE DWG No.</p> <p>C CD 500RB002</p>	<p>REV</p> <p>00</p>	<p>SHEET 1 OF 1</p>	